



ec7

ep7

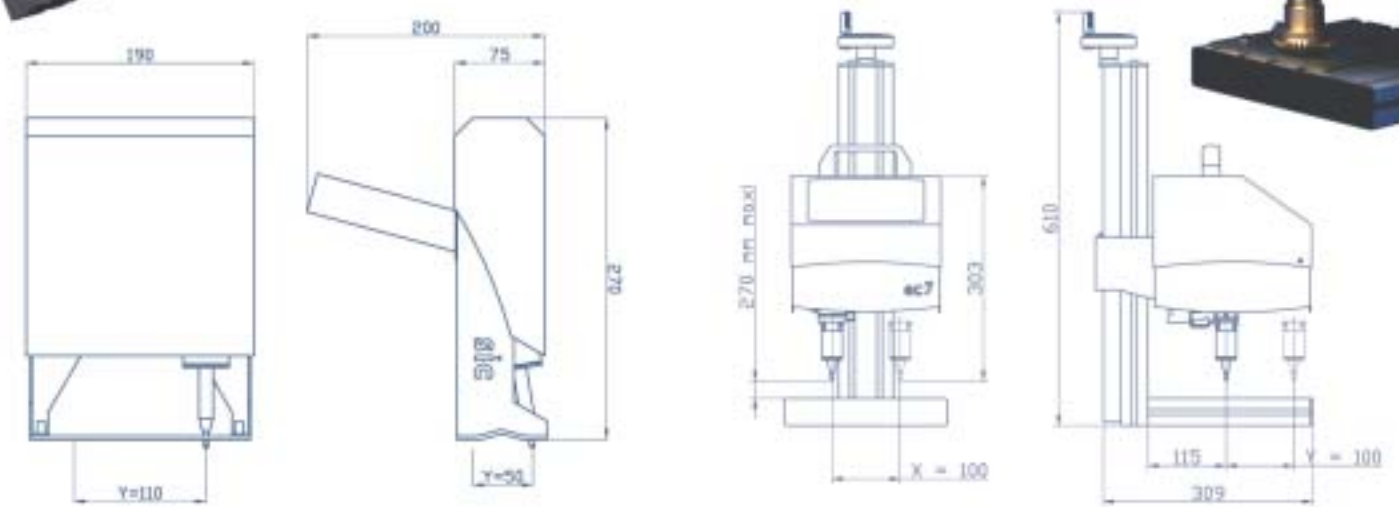


ep7

ec7



ec7



Technical specifications

	ep7	ec7
Low operating cost, almost no consumables	•	•
Electromagnetic dot marking	•	•
Marking window	110 X 50 mm	100 X 100 mm
User friendly software (icons)	•	•
Graphical screen	•	•
Print preview	•	•
Programmable character height and width	•	•
Radial, angular, straight marking	•	•
Programmable marking forces	•	•
4 fonts, OCR, OCR-A, Arial, Courier	•	•
5x7, 9x13 and «continuous»	•	•
Serial numbers	•	•
Date codes (year, month, week, day, time automatic update)	•	•
12 languages available	•	•
RS232 connection	•	•
Flash eprom (Up-date with new version)	•	•
Large memory: 128 K (hundreds of files, many logos)	•	•
3 m robotic cable	•	•
Column height adjustment: 270 mm	•	•
Protected industrial keyboard	•	•

Options

Column and base	•	•
Cart	•	•
Battery and charger	•	•
Bar-code reader	•	•
Logo (cable + software)	•	•
Plate holder	•	•
Pedal or button box	•	•
Extended maintenance Kit	•	•

13, route de Limonest - ZAC de la braille 69380 Lissieu - FRANCE
 Tél: + 33 (0)4 72 54 80 00 - Fax: + 33 (0)4 78 47 39 40
www.sic-marking.com / info@sic-marking.com



- ▶ Low cost permanent identification
- ▶ Electromagnetic dot marking
- ▶ No PC - just plug in



Fully programmable:

Serial numbers, dates, logos,
character size, marking depth...

Column-mounted
ec7



Column option for portable machine



Bar code reader

Portable machine
ep7



Tag holder



Cart option

✔ Simplicity, user-friendly

- Integrated controller, keyboard and software
- Self-explanatory icons
- No computer skill needed
- No need for a PC, self contained equipment
- Electrically powered, single phase or battery operated
- Safe operation

✔ Autonomy

- Battery and charger option

✔ Performance

- High quality of mark
- Fast
- Most materials can be marked from plastic to hardened steel
- Versatility of industrial applications

✔ Robust and Reliable

- Steel housing
- Protected industrial keyboard
- Thousands of users worldwide

✔ Mobility

- Cart option
- Ergonomic handles
- Compact and light

✔ Low operating cost

- Low investment
- Almost no consumables
- No maintenance



Print preview



Result on the part



Self explanatory icons

SIC
MARKING