

New dot peen marking gun e1-p123



Comfortable

- Low vibrations during marking
- Minimal noise
- Back face support providing

High performance

- Constant precision and quality
- High speed marking
- Powerful system for deep marking
- Marking on parts up to 62HRC

Robust and reliable

- Cast aluminum body and handle for robustness and lightness
- Rigid and stable one-piece front plate perfectly suited for industrial environment
- Stainless steel spring string relief for cable protection

User-friendly

- Easy front plate adjustment with 4 predefined positions
- Handle base designed to guarantee perfect stability
- Removable handle hood for easy maintenance

NEW PORTABLE SPECIFICATIONS



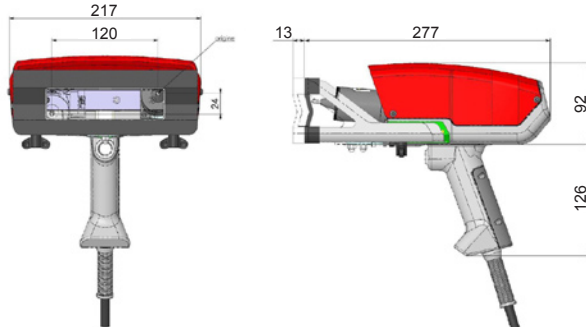
MARKING SAMPLES



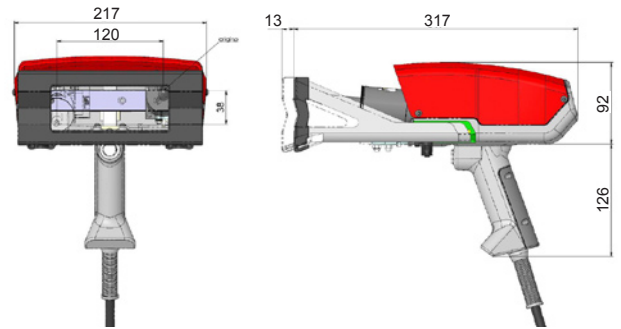
MECHANICAL TECHNICAL FEATURES

p 123

Marking window	120 x 25 mm / 4.7 x 1 inches - 120 x 40 mm / 4.7 x 1.6 inches
Weight	3,7 kg
Robotic cable	3 m
Stylus	Carbide
Marking of cylindrical parts	V-groove front plate
Setup assistance	Position memory front plate



Marking window 120 x 25 mm / 4.7 x 1 inches



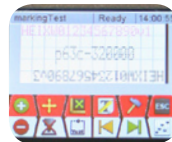
Marking window 120 x 40 mm / 4.7 x 1.6 inches

e1 CONTROLLER



e1

- Color screen
- Reduced size
- USB port for simple transfer of marking files
- Fully programmable, easy to use software
- All marking types (DataMatrix, angular, circular, alphanumeric, logos etc.)
- Industrial membrane keyboard



■ Color screen



■ USB port



■ Ergonomic handle

OPTIONS & ACCESSOIRES



Magnetic clamping



Maintenance kit



Bar-code and Data Matrix reader



Column / support plate



Hooking ring + balancer



SIC Marking®
 13, route de Limonest
 Zac de la Braille
 69380 Lissieu - France
 Tél. : +33 (0)4 72 54 80 00
 Fax : +33 (0)4 78 47 39 40
www.sic-marking.com
info@sic-marking.com