

# New dot peen marking gun e1 p63c

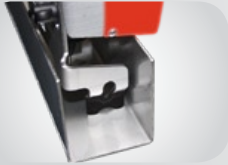
## Extremely compact

- Easy to use & well-balanced
- Ergonomic handle
- Light weight
- Carrying case
- Marking window 60 x 25 mm



## Intuitive

- Easy to use software
- Color screen



Ideal for marking on deep groove

## High performance

- Marking of difficult to access parts
- Marking on all types of materials
- Great precision and quality
- Powerful system & high speed marking

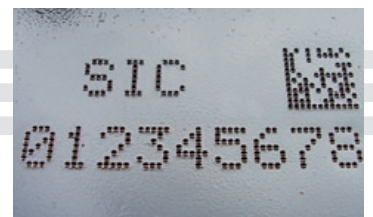
## Robust and reliable

- Light-weight cast aluminum body for intensive use

## NEW PORTABLE SPECIFICATIONS



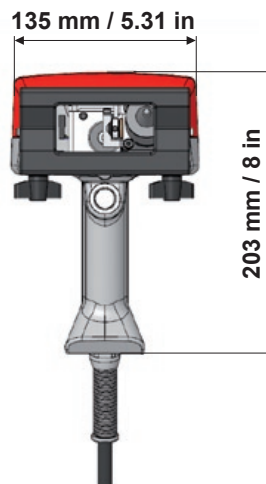
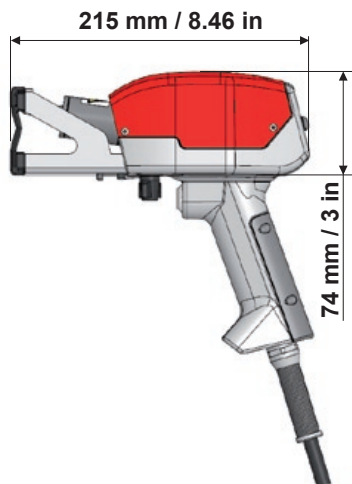
## MARKING EXAMPLES



## MECHANICAL TECHNICAL FEATURES

**p63c**

Marking window	60 x 25 mm / 2.36 x 1 in
Dimensions	135 x 215 x 203 mm / 5.31 x 8.46 x 8 in
Weight	2,6 kg / 5.7 Lbs
Robotic cable	2,5 m



Marking Window - 60 x 25 mm / 2.36 x 1 inches

## e1 CONTROLLER



- Color screen
- Reduced size
- USB port for simple transfer of marking files
- Fully programmable, easy to use software
- All marking types (DataMatrix, angular, circular, alphanumeric, logos etc.)
- Industrial membrane keyboard



■ Color screen



■ USB port



■ Ergonomic handle

## OPTIONS



Bar-code reader



Specific support face



Maintenance kit



Column base



SIC MARKING®  
 13, route de Limonest  
 69380 Lissieu - France  
 Tél. : +33 (0)4 72 54 80 00  
 Fax : +33 (0)4 78 47 39 40  
[www.sic-marking.com](http://www.sic-marking.com)  
[info@sic-marking.com](mailto:info@sic-marking.com)